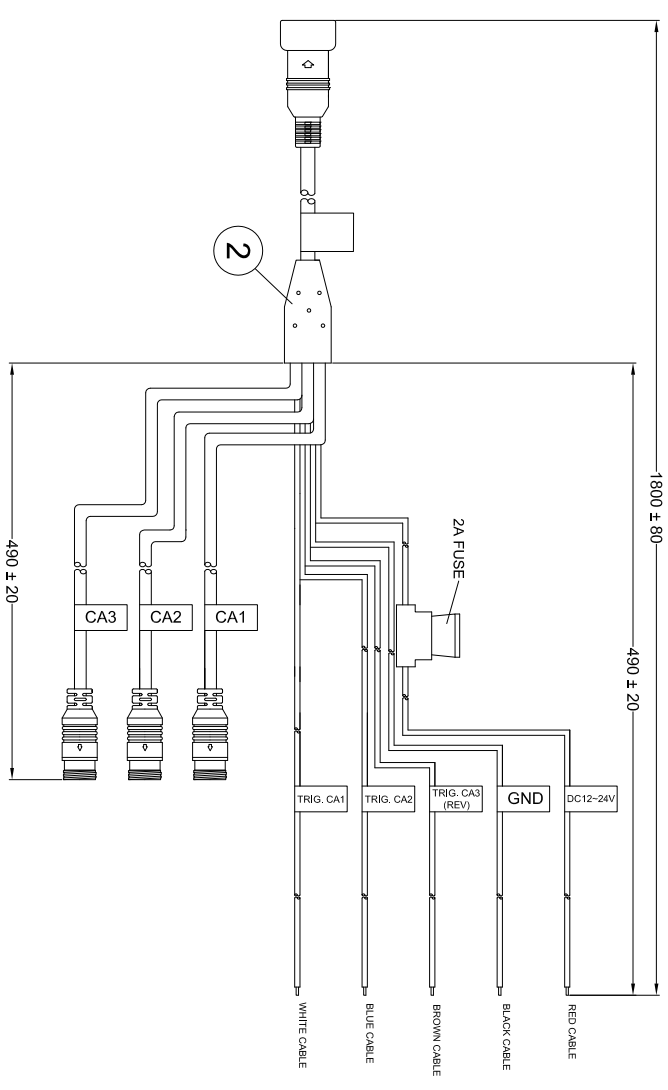
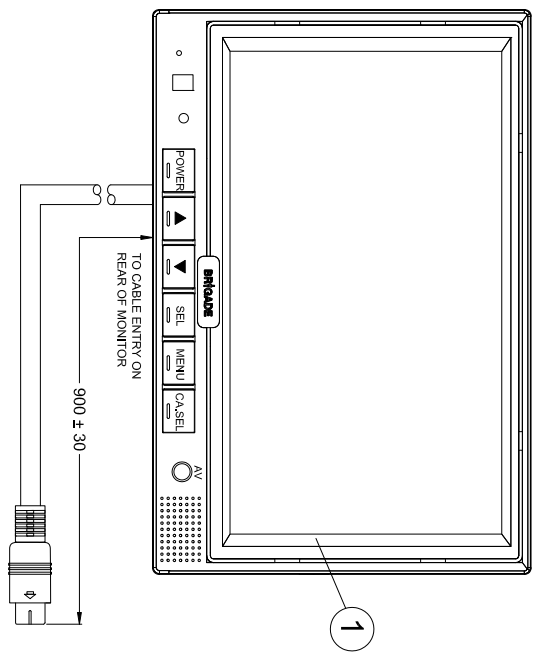


Revision Notes:	
Checked By: -	Approved By: -
Date Released: 00/00/00	

ITEM	PART NO.	QTY	MODEL/DESCRIPTION
1	(3354B)	1	VBV-770DM-M MONITOR
2	(3176A)	1	VBV-7XODM-CA CABLE ADAPTER
3	(3195A)	1	VBV-770DM-SS SUNSHIELD (NOT SHOWN)
4	(3148A)	1	BMM-015 VBV MONITOR BRACKET (SHORT) (NOT SHOWN)
5	(3353B)	1	VBV-770DM-MIG INSTALLATION GUIDE (NOT SHOWN)
6	(3199)	1	BMM-018 'U' BRACKET (NOT SHOWN)



- NOTES:
1. REFER TO COMPONENT DRAWINGS FOR COMPONENT DETAIL.
 2. FOR GIFTBOX LABEL REFER TO LATEST REVISION OF DRAWING BE-002419-XX-13.
 3. FOR GIFTBOX SERIAL NUMBER LABEL REFER TO LATEST REVISION OF DRAWING BE-001323-XX-10.
 4. PURCHASE ORDER TO DEFINE PACKAGING VARIANT.
 5. REFER TO LATEST REVISION OF DRAWING BE-001861-XX-1 FOR PACKAGING DETAIL.

PROPRIETARY NOTICE
 THIS DESIGN AND TECHNICAL INFORMATION APPEARING ON THIS DRAWING IS THE PROPERTY OF BRIGADE ELECTRONICS, AND IS DISCLOSED IN CONFIDENCE. IT IS NOT TO BE COPIED, REPRODUCED, REVEALED TO OR EXPLOITED BY OTHERS, EITHER IN WHOLE OR IN PART WITHOUT THE EXPRESS WRITTEN CONSENT OF BRIGADE ELECTRONICS.



Assembly Pl Approval XINYU HUANG 11/07/13		Approved by B. JOHN		Checked by RBATES		Drawn by MBUTLER	
Angle of Projection 		Status RELEASED		Scale N/A		Released 11/07/13	
Third Angle		Part No. 3355B		Assembly Ref SV-M0700127DC			
Status RELEASED				VBV-770DM			
Part No. 3355B				BE-002422-00-13			